

# Genie® GS™ -2632 & GS-2646

## Specifications

| Models  | GS-2632     |         | GS-2646     |         |
|---|-------------|---------|-------------|---------|
| Measurements  | US          | Metric  | US          | Metric  |
| Working height max. - indoor <sup>(1)</sup>                   | 32 ft 1 in  | 9.96 m  | 32 ft 1 in  | 9.96 m  |
| Working height max. - outdoor <sup>(1)</sup>                  | 25 ft       | 7.79 m  | 25 ft 8 in  | 7.99 m  |
| <b>A</b> Platform height max. - indoor                        | 26 ft 1 in  | 7.96 m  | 26 ft 1 in  | 7.96 m  |
| <b>A</b> Platform height max. - outdoor                       | 19 ft       | 5.79 m  | 19 ft 8 in  | 5.99 m  |
| <b>B</b> Platform height - stowed                             | 3 ft 11 in  | 1.19 m  | 3 ft 11 in  | 1.19 m  |
| <b>C</b> Platform length - outside                            | 7 ft 5 in   | 2.26 m  | 7 ft 5 in   | 2.26 m  |
| <b>C</b> Platform length - outside, extended                  | 10 ft 5 in  | 3.18 m  | 10 ft 5 in  | 3.18 m  |
| Slide-out platform extension deck - length                    | 3 ft        | 0.91 m  | 3 ft        | 0.91 m  |
| <b>D</b> Platform width - outside                             | 32.9 in     | 0.84 m  | 3 ft 10 in  | 1.18 m  |
| Guardrail height  | 3 ft 7 in   | 1.10 m  | 3 ft 7 in   | 1.10 m  |
| Toeboard height   | 6 in        | 15 cm   | 6 in        | 15 cm   |
| <b>E</b> Machine Height - stowed (folding rails)              | 7 ft 7 in   | 2.31 m  | 7 ft 7 in   | 2.31 m  |
| Machine Height - stowed (rails lowered)                       | 6 ft 4 in   | 1.94 m  | 5 ft 7 in   | 1.70 m  |
| <b>F</b> Length machine - stowed                              | 8 ft        | 2.44 m  | 8 ft        | 2.44 m  |
| <b>F</b> Length machine - stowed, extended                    | 10 ft 11 in | 3.33 m  | 10 ft 11 in | 3.33 m  |
| <b>G</b> Width  | 32.2 in     | 0.82 m  | 3 ft 10 in  | 1.18 m  |
| <b>H</b> Wheelbase  | 6 ft 1 in   | 1.85 m  | 6 ft 1 in   | 1.85 m  |
| <b>I</b> Ground clearance (center) - pothole guards retracted | 5 in        | 12 cm   | 5 in        | 12 cm   |
| <b>I</b> Ground clearance - pothole guards deployed           | 0.9 in      | 2.30 cm | 0.9 in      | 2.30 cm |

### Productivity

|   |            |          |             |          |
|---|------------|----------|-------------|----------|
| Max. platform occupancy (in/out)                    | 2/1        |          | 2/1         |          |
| Lift capacity                                       | 500 lb     | 227 kg   | 1,000 lb    | 454 kg   |
| Lift capacity - extension deck extended             | 250 lb     | 113 kg   | 250 lb      | 113 kg   |
| Max. platform drive height                          | 26 ft 1 in | 7.96 m   | 26 ft 1 in  | 7.96 m   |
| Drive speed - stowed                                | 2.0 mph    | 3.2 km/h | 2.0 mph     | 3.2 km/h |
| Drive speed - raised                                | 0.5 mph    | 0.8 km/h | 0.5 mph     | 0.8 km/h |
| Gradeability - stowed <sup>(2)</sup>                | 25%        |          | 25%         |          |
| Turning radius - inside/outside                     | 0/7 ft     | 0/2.13 m | 0/7 ft 6 in | 0/2.29 m |
| Lifting speed - raise/lower                         | 43/33 sec  |          | 41/30 sec   |          |
| Tilt sensor activation (front to back/side to side) | 3°/1.5°    |          | 3°/1.5°     |          |
| Tires - solid non-marking                           | 15×5 in    | 38×13 cm | 15×5 in     | 38×13 cm |

### Power

|                                   |                     |                     |
|-----------------------------------|---------------------|---------------------|
| Power - FLA                       | 24V DC (4×6V 210Ah) | 24V DC (4×6V 210Ah) |
| Power - Lithium-Ion               | 24V DC (1×24V 90Ah) | 24V DC (1×24V 90Ah) |
| Hydraulic tank capacity (E-Drive) | 4 gal               | 15L                 |

### Weight<sup>(3)</sup> and Floor Loading<sup>(4)</sup>

|   |          |           |           |          |
|---|----------|-----------|-----------|----------|
| Weight                                    | 4,729 lb | 2,145 kg  | 4,346 lb  | 1,971 kg |
| Weight max. (adding all possible options) | 4,900 lb | 2,223 kg  | 4,542 lb  | 2,060 kg |
| Tire load max.                            | 1,820 lb | 826 kg    | 2,127 lb  | 965 kg   |
| Tire contact pressure                     | 119 psi  | 824 kPa   | 124.6 psi | 935 kPa  |
| Occupied floor pressure                   | 270 psf  | 12.91 kPa | 192 psf   | 9.83 kPa |

### Sound and Vibration Levels

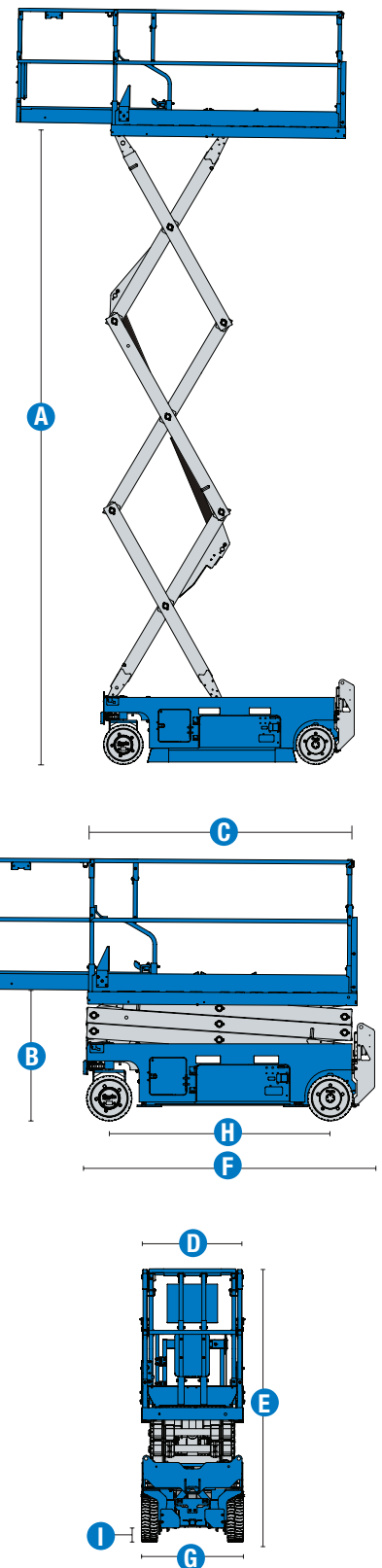
|   |                            |                        |                            |                        |
|---|----------------------------|------------------------|----------------------------|------------------------|
| Sound Pressure level (ground workstation)   | < 70 dBA                   |                        | < 70 dBA                   |                        |
| Sound Pressure level (platform workstation) | < 70 dBA                   |                        | < 70 dBA                   |                        |
| Vibrations                                  | < 8 ft 2 in/s <sup>2</sup> | < 2.5 m/s <sup>2</sup> | < 8 ft 2 in/s <sup>2</sup> | < 2.5 m/s <sup>2</sup> |

(1) The metric equivalent of working height adds 2 m to platform height. US adds 6 ft to platform height.

(2) Gradeability applies to driving on slopes and may vary depending on options and machine configurations. See operator's manual for details regarding slope ratings.

(3) Weight refers to standard configuration and may vary depending on options and/or country standards.

(4) Floor loading information is approximate and may vary depending on options and machine configurations. It should be used only with adequate safety factors.



# Genie® GS™ -2632 & GS-2646

**SKU: Standard Model**

- **GS2632E1AE0003:** GS-2632, E-Drive

**SKU: Standard Model**

- **GS264601AE0003:** GS-2646, E-Drive

\* Build to Order

| Option availability         |  | S | S+ | BtO |
|-----------------------------|--|---|----|-----|
| Power                       | Standard FLA flooded lead acid batteries                   | ✓ | ✓  | ✓   |
|                             | AGM Maintenance-free batteries                             |   | ○  | ○   |
|                             | Lithium-Ion battery  |   |    | ○   |
|                             | Drive cut-out while charging                               |   | ○  | ○   |
|                             | Power Inverter   |   | ○  | ○   |
|                             | Rear recessed charger receptacle                           | ✓ | ✓  | ✓   |
| Platform                    | Folding rails, Full-height swing gate (GS-2646)            | ✓ | ✓  | ✓   |
|                             | Folding rails, Half-height swing gate (GS-2632)            | ✓ | ✓  | ✓   |
|                             | Slide out extension deck                                   | ✓ | ✓  | ✓   |
|                             | Air line to platform                                       |   |    | ○   |
|                             | Automotive-style horn                                      |   | ○  | ○   |
|                             | AC power to platform                                       | ✓ | ✓  | ✓   |
|                             | Descent, tilt and motion alarm                             | ✓ | ✓  | ✓   |
|                             | Diamond plate platform deck                                | ✓ | ✓  | ✓   |
|                             | Dual LED flashing beacons                                  | ✓ | ✓  | ✓   |
|                             | Electric horn  | ✓ | ✓  | ✓   |
|                             | Lanyard attachment points                                  | ✓ | ✓  | ✓   |
|                             | Platform control guard (PCON)                              | ✓ | ✓  | ✓   |
|                             | Platform load sense system                                 | ✓ | ✓  | ✓   |
|                             | Proportional drive and lift                                | ✓ | ✓  | ✓   |
|                             | SmartLink dual zone control system                         | ✓ | ✓  | ✓   |
| Chassis                     | Lift Connect Telematics                                    |   | ○  | ○   |
|                             | Lift Connect with Access Manager upgrade                   |   | ○  | ○   |
|                             | Biodegradable hydraulic oil                                |   |    | ○   |
|                             | EE Certification (Hydraulic drive)                         |   |    | ○   |
|                             | Lift Guard White Noise Alarm                               |   | ○  | ○   |
|                             | Lift Tools Spill Guard (E-Drive)                           |   |    | ○   |
|                             | Auxiliary platform lowering                                | ✓ | ✓  | ✓   |
|                             | Driveable at full height                                   | ✓ | ✓  | ✓   |
|                             | Dual front wheel sealed AC electric drive motors (E-Drive) | ✓ | ✓  | ✓   |
|                             | Electric brake release (E-Drive)                           | ✓ | ✓  | ✓   |
|                             | On board diagnostic system with battery charge indicator   | ✓ | ✓  | ✓   |
|                             | Pothole protection   | ✓ | ✓  | ✓   |
|                             | Side and rear fork pockets                                 | ✓ | ✓  | ✓   |
|                             | Solid non-marking tires                                    | ✓ | ✓  | ✓   |
|                             | Tech Pro Link connector                                    | ✓ | ✓  | ✓   |
| Tie-down and lifting points | ✓  | ✓ | ✓  |     |

- S Standard
- S+ Standard +
- BtO Build to Order
- ✓ Standard Features
- Options



Indoor & Outdoor Use



Side Forklift Pockets



Optional E-Drive



Genie Genuine Accessories<sup>(1)</sup>

- Lift Tools Productivity Tools
- Lift Connect Telematics
- Tech Pro Link Handheld Device

(1) More accessories available from Genie Genuine Parts.

Product specifications are subject to change without notice or obligation. Photographs and/or drawings herein are for illustrative purposes only. Refer to the appropriate Operator's Manual for instructions on proper equipment use. Failure to follow instructions in the Operator's Manual may result in serious injury or death. The only warranty applicable to our equipment is the standard written warranty applicable to the particular product and sale and we make no other warranty, express or implied. Products and services listed may be trademarks, service marks or trade names of Terex Corporation and/or their subsidiaries in the USA and many other countries. Terex, Genie, Quality By Design, Xtra Capacity, Lift Power, Lift Guard, Lift Tools, Lift Connect and Tech Pro Link are registered trademarks of Terex Corporation or its subsidiaries.