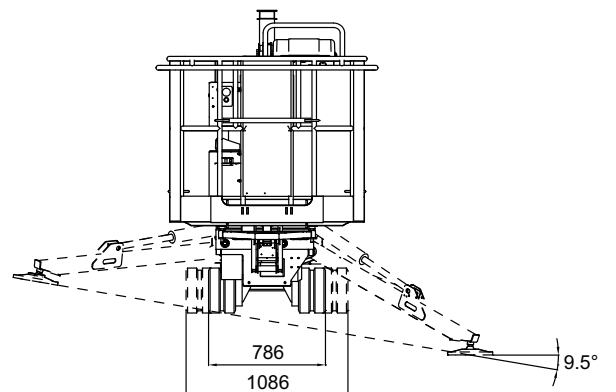
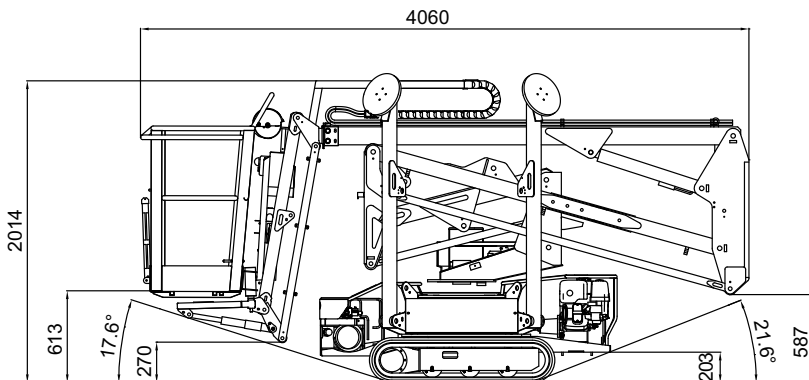
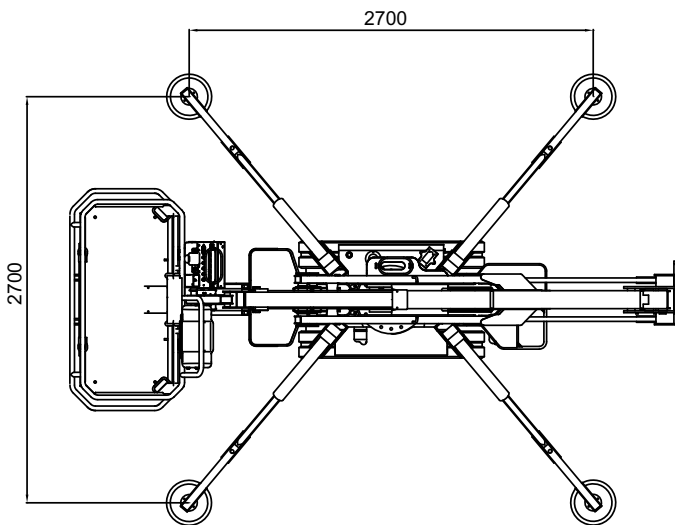


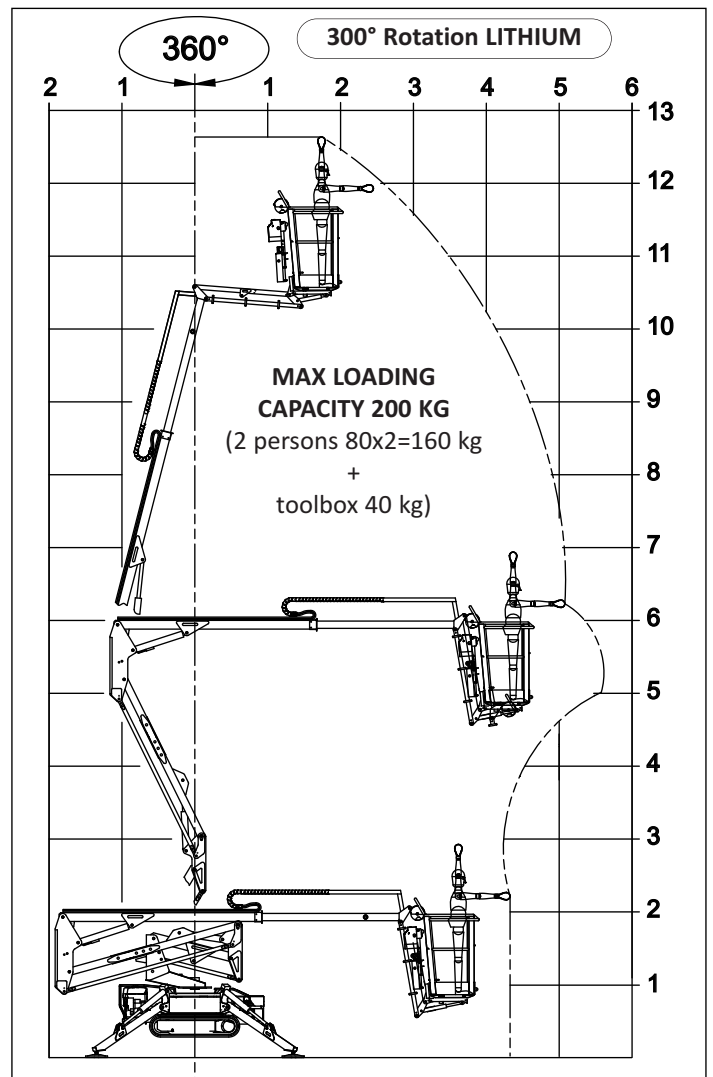
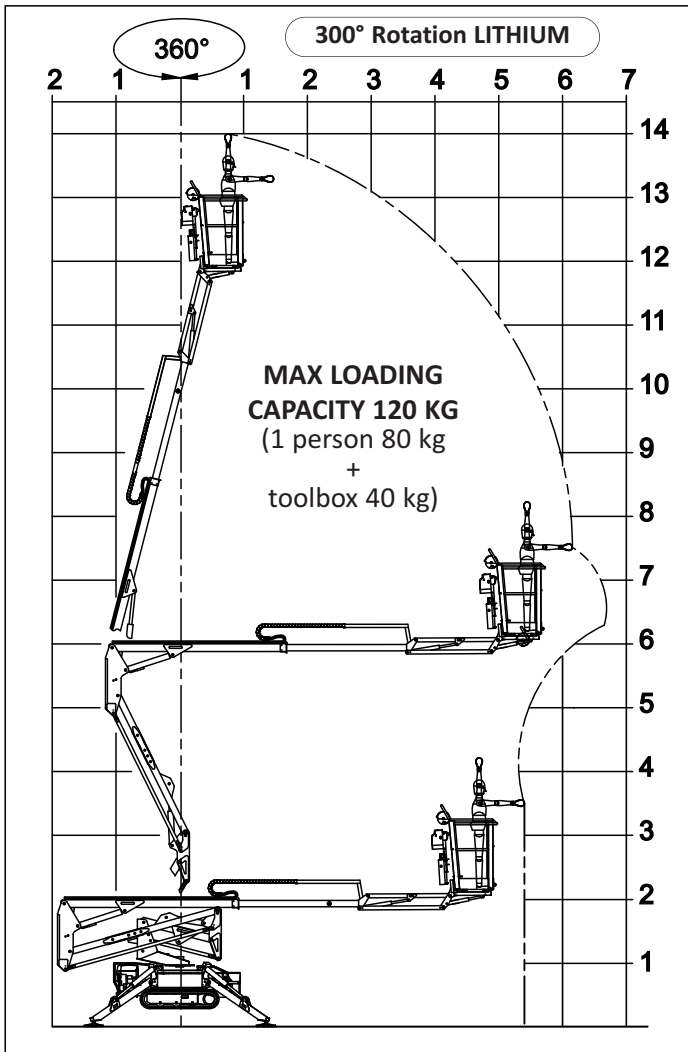
# TRACKED AERIAL PLATFORMS



## GOLDLIFT 14.70 *MS*



# GOLDLIFT 14.70 *ITS*



# TRACKED AERIAL PLATFORMS



## **GOLDLIFT 14.70 III**

### PETROL ENGINE

Brand ..... HONDA  
Type ..... iGX390  
Pistons no. and displacement ..... single-cylinder 389 cc  
Max gross power ..... 11,7 HP - 8,7 kW @ 3600 rpm  
Electrical start..... 12 volt

### DIESEL ENGINE

Brand ..... HATZ  
Type ..... 1B40 - HD Autorev  
Pistons no. and displacement ..... single-cylinder 462 cc  
Max gross power . ..... 10 HP - 7,5 kW @ 3600 rpm  
Electrical start..... 12 volt

### ELECTRIC MOTOR

Standard ..... 230V / 50Hz - 2,2 kW  
Optional ..... 110V / 50Hz - 2,2 kW

### HYDRAULIC PUMPS

Pump diesel engine .....no. 2 gear pumps  
Pump electric motor .....no. 2 gear pumps

### TRACKED UNDERCARRIAGE

Track tensioner ..... grease-filled  
Rollers no. per side..... 3 + slide  
Widening system ..... 786 / 1086 mm  
Translation speed ..... 1,4 km/h  
Second translation speed (optional) ..... 1,4 - 2,8 km/h

WEIGHT MACHINE ..... 1700 kg  
MAX UPPER SLANT ..... 15° / 26,8%  
MAX WIND SPEED ..... 12,5 m/s

**GOLDLIFT 14.70 MS LITHIUM 100**

**ELECTRIC SYSTEM**

Electric system voltage.....	48V-12V
Lithium battery pack.....	4,8 kWh
Autonomy (continuous cycle)* .....	4-5 h
Onboard battery charger .....	220V 50Hz
Optional battery charger .....	110V 50Hz
Recharge time on flat batteries.....	4 h (indicative)
Recharge time to 80% on flat batteries.....	2 h (indicative)

**HYDRAULIC PUMPS**

Electric motor .....	no.2 gear pumps
----------------------	-----------------

**TRACKED UNDERCARRIAGE**

Track tensioner .....	grease-filled
Rollers no. per side .....	3 + slide
Widening system .....	786 / 1086 mm
Translation speed .....	1,2 km/h
Second translation speed (optional) .....	1,2 - 2,4 km/h

<b>WEIGHT MACHINE</b> .....	1810 kg
<b>MAX UPPER SLANT</b> .....	15° / 26,8%
<b>MAX WIND SPEED</b> .....	12,5 m/s

\* (Autonomy measured with Hinowa H2 operating cycle)