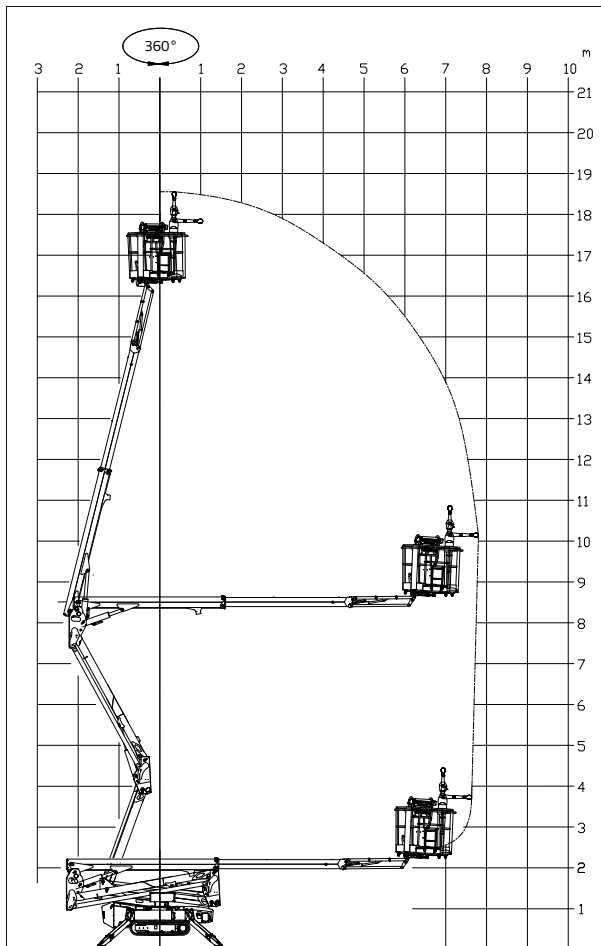
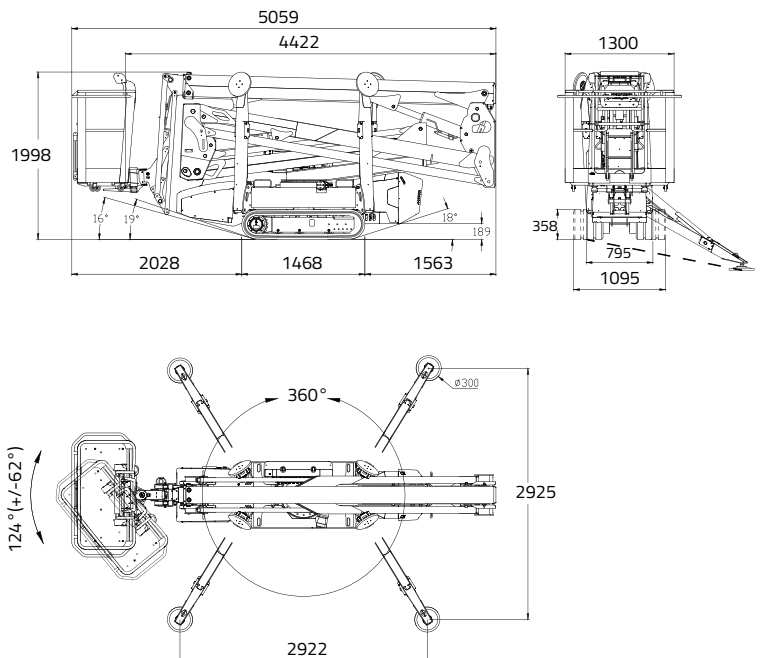



 LL18.80



**CAPACITY 230 KG**  
(2 persons 80x2=160 kg + tool box 70 kg)





 18,55 m

 7,80 m

 5,05 m


 4,42 m


 1,99 m


 1.335 x 690 x h. 1.100 mm


 124° (+/-62°)


 16° / 28,7%

 795 - 1095 mm

 1795 daN - 2,5 daN/cm<sup>2</sup>


 2922 x 2925 mm


 Automatic set up system IIIS std.

 Remote control

 GPRS-GPS

 R.A.H.M.

 Lithium-ion battery pack  
7,7 kWh

 Bi-energy (Diesel + Lithium-ion  
battery pack)



**PETROL ENGINE**

Brand.....HONDA  
 Type .....GX390  
 Pistons no. and displacement.....  
 ..... single-cylinder 389 cm<sup>3</sup>  
 Max gross power .....  
 11,7HP - 8,7 kW @ 3600 rpm (GX390)  
 Electrical start..... 12 volt

**DIESEL ENGINE**

Brand.....KUBOTA  
 Type .....Z602  
 Pistons no. and displacement.....  
 .....double-cylinder 599 cm<sup>3</sup>  
 Max gross power .....  
 ..... 14,5 HP - 10,8kW @ 3600 rpm  
 Electrical start..... 12 volt

**LITHIUM-ION SYSTEM**

Lithium-ion powered ..... 7,7 kWh  
 Onboard battery charger.....  
 .....220V 50Hz or 110V 50Hz  
 Autonomy..... 4-5 h  
 Recharge time on flat batteries .....  
 ..... .4 h (indicative)  
 Recharge time to 80% on flat batteries.  
 ..... 2 h (indicative)

**HYDRAULIC PUMPS**

Electric motor ..... no. 2 gear pumps

**TRACKED UNDERCARRIAGE**

Track tensioner ..... grease-filled  
 Rollers no. per side ..... 3 + slide

Translation speed with 3<sup>rd</sup> auto2speed:

- petrol engine ..... 0,4 - 1 - 1,95 km/h  
 - diesel engine ..... 0,5 - 1,3 - 2,5 km/h  
 - lithium system..... 0,83 - 1,6 km/h

WEIGHT MACHINE petrol engine.....2780 kg  
 WEIGHT MACHINE diesel engine.....2830 kg  
 WEIGHT MACHINE lithium-ion.....2880 kg  
 WEIGHT MACHINE bi-energy .....2990 kg

MAX WIND SPEED..... 12,5 m/s