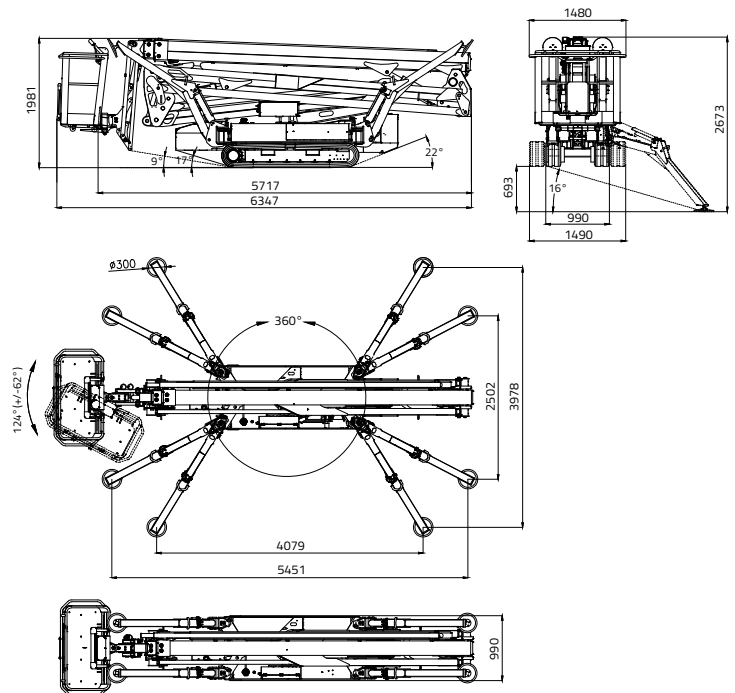
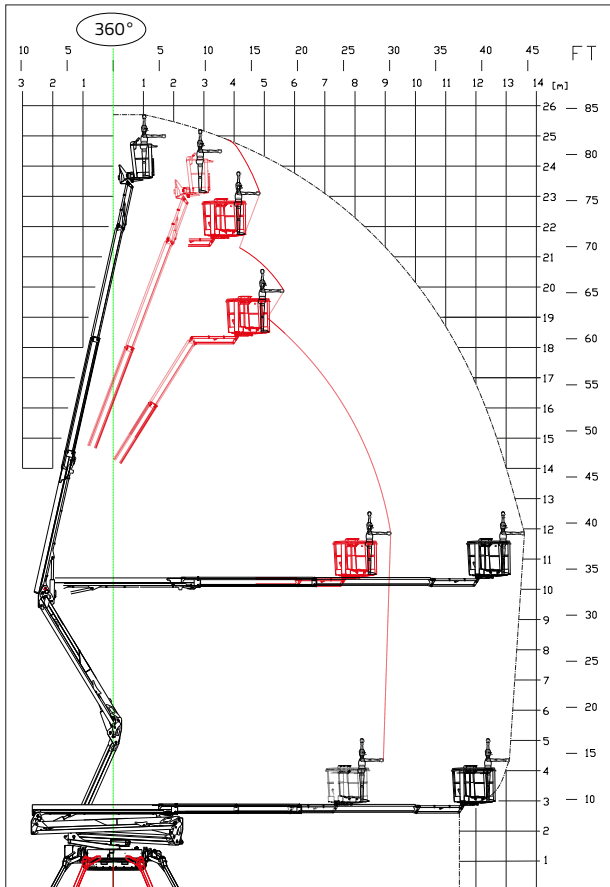


# LL26.14 MK2

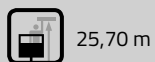
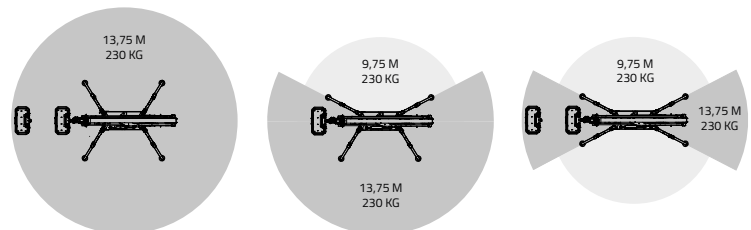
**CAPACITY 230 KG**  
(2 persons 80x2=160 kg + tool box 70 kg)



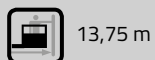
TOTAL AREA

PARTIAL AREA

REDUCED AREA



25,70 m



13,75 m



6,34 m



5,98 m



1,98 m



1.335 x 690 x h. 1.100 mm



124° (+/-62°)



16° / 28,7%



990 - 1490 mm



3124 daN - 4,42 daN/cm<sup>2</sup>



Variable stabilization area  
4.079 x 3.978 mm  
(5.451 x 2.502 mm)



Automatic set up system IIS std.



Remote control



GPRS-GPS



R.A.H.M.



Lithium-ion battery pack  
7,6 kWh



Bi-energy (Diesel + Lithium-ion  
battery pack)

# LL26.14 MK2



### DIESEL ENGINE

Brand.....KUBOTA  
 Type ..... D902 Autorev  
 Pistons no. and displacement..... 898 cm<sup>3</sup>  
 Max gross power .....  
 ..... 21,6 HP - 16,1 kW @ 3200 rpm  
 Electrical start..... 12 volt

### LITHIUM-ION SYSTEM

Lithium-ion powered..... 7,6KWh  
 Onboard battery charger .....  
 ..... 220V or 110V+-30V 50-60 Hz  
 Autonomy ..... 4-5 h  
 Recharge time on flat batteries .....  
 ..... 4 h (indicative)  
 Recharge time to 80% on flat batteries.....  
 ..... 2 h (indicative)

### HYDRAULIC PUMPS

Electric motor ..... no. 2 gear pumps

### TRACKED UNDERCARRIAGE

Track tensioner ..... grease-filled  
 Rollers no. per side ..... 6 + slide

Translation speed with 2<sup>nd</sup> auto2speed:

- diesel engine ..... 1,1 - 2 km/h  
 - lithium system..... 0,7 - 1,2 km/h

WEIGHT MACHINE diesel engine.....4365 kg

WEIGHT MACHINE lithium system .....4384 kg

WEIGHT MACHINE bi-energy .....4560 kg

MAX WIND SPEED ..... 12,5 m/s